



MBI[®]



SGR

DEMOLITION & SORTING GRAPPLE



SGR

DEMOLITION & SORTING GRAPPLE

Our grapple has been designed to be extremely sturdy and allows the user to perform demolition tasks and heavy materials handling. In addition, it incorporates some important safety features like the load blocking valve and the cylinder hydraulic brake.

- The reinforced body structure allows the use of the SGR for **heavy-duty tasks** such as the demolition of brick buildings or the handling of rock blocks.

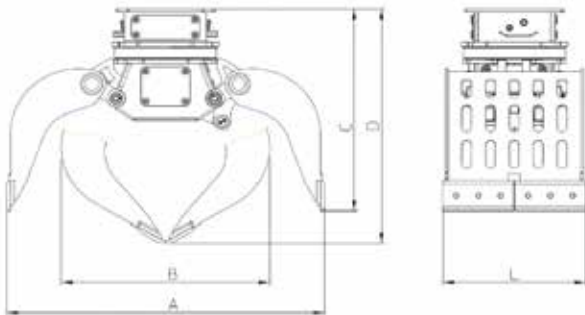
- The **powerful cylinders**, with integrated hydraulic braking system, guarantee strong clamping force.

- The **continuous hydraulic rotation** enables accurate tool positioning in every working environment. In addition, the robust components and the double motor, on bigger models, ensure durability and rotating power.

- The **load-block valve**, that prevents valve opening without operator command, maximizes the safety standards of the SGR.

- The **blades are interchangeable** and can be turned four times before replacement ensuring high precision clamping.

- The **new hydraulic system** improves performances and durability while it simplifies maintenance operations.



TECHNICAL DATA

BT.SGR.03

MODEL		SGR150	SGR250*	SGR450	SGR600	SGR850	SGR1000	SGR1100	SGR1200	SGR1500	SGR1900	SGR2500	SGR2700
Excavator weight	t	1-2,5	3-6	5-8	7-11	10-15	14-18	16-20	18-22	21-25	25-30	30-35	35-40
Tool weight **	kg	140	320	565	750	860	1330	1400	1480	1570	2260	2520	2570
Capacity	l	48	100	200	300	400	500	600	700	800	900	1000	1100
A	mm	920	1100	1500	1650	1700	2000	2000	2000	2100	2230	2240	2240
B	mm	610	715	1030	1090	1100	1300	1300	1300	1430	1400	1420	1455
C	mm	775	770	1100	1130	1140	1340	1340	1340	1370	1490	1500	1500
D	mm	850	885	1240	1310	1340	1550	1550	1550	1600	1745	1770	1770
L	mm	350	500	600	600	800	750	900	1000	1100	1200	1300	1350
Hydraulic working pressure	bar	180-200	200-250	200-250	250-300	300-320	300-350	300-350	300-350	300-350	300-350	300-350	300-350
Oil flow	l/min	20-40	10-15	20-30	20-30	20-30	50-60	50-60	50-60	50-60	70-80	70-80	70-80



We are constantly improving our products and therefore we reserve the right to change the design and technical specifications without prior notice.
* Available soon ** Tool weight does include Mantovanibenne top bracket.

